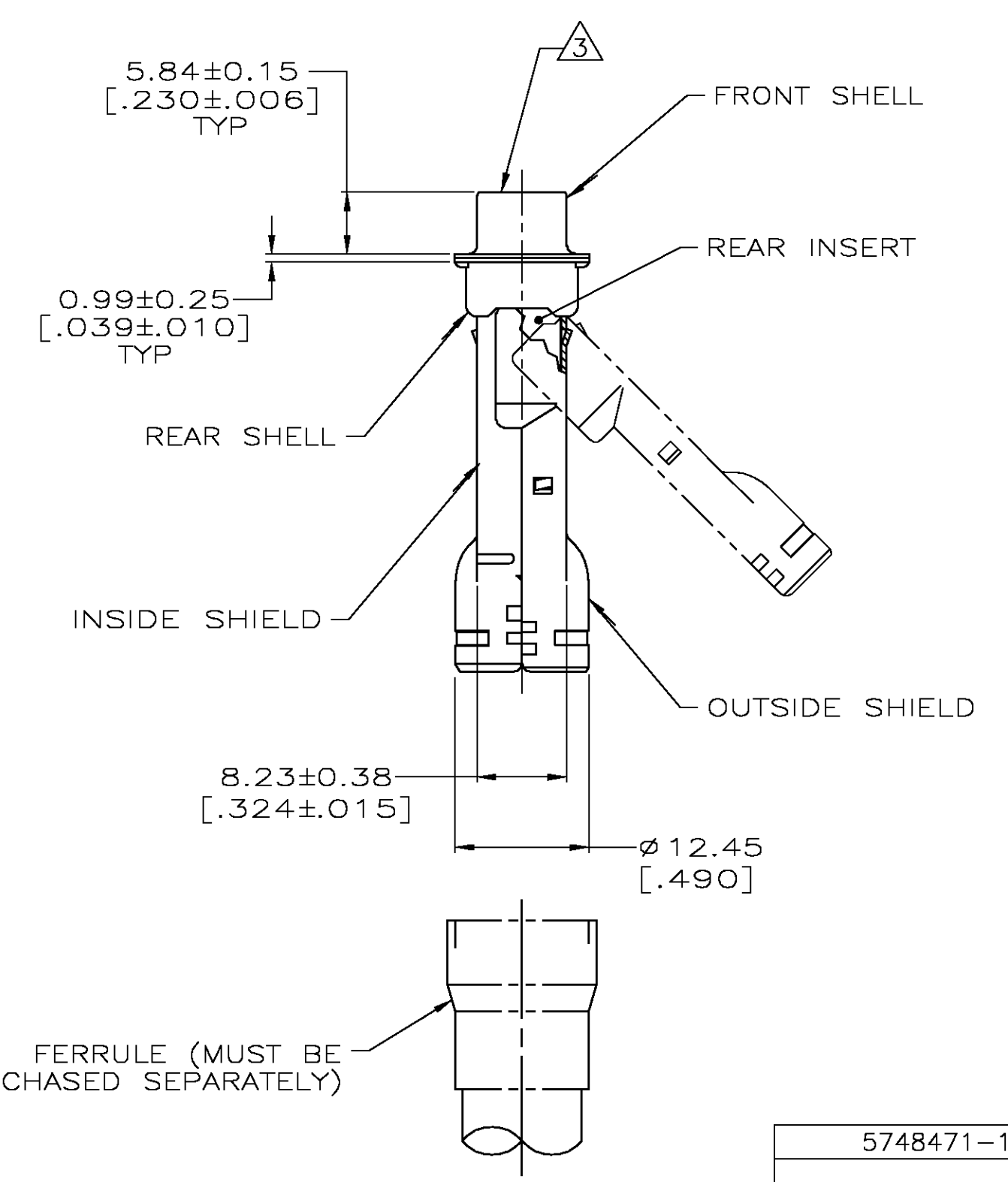
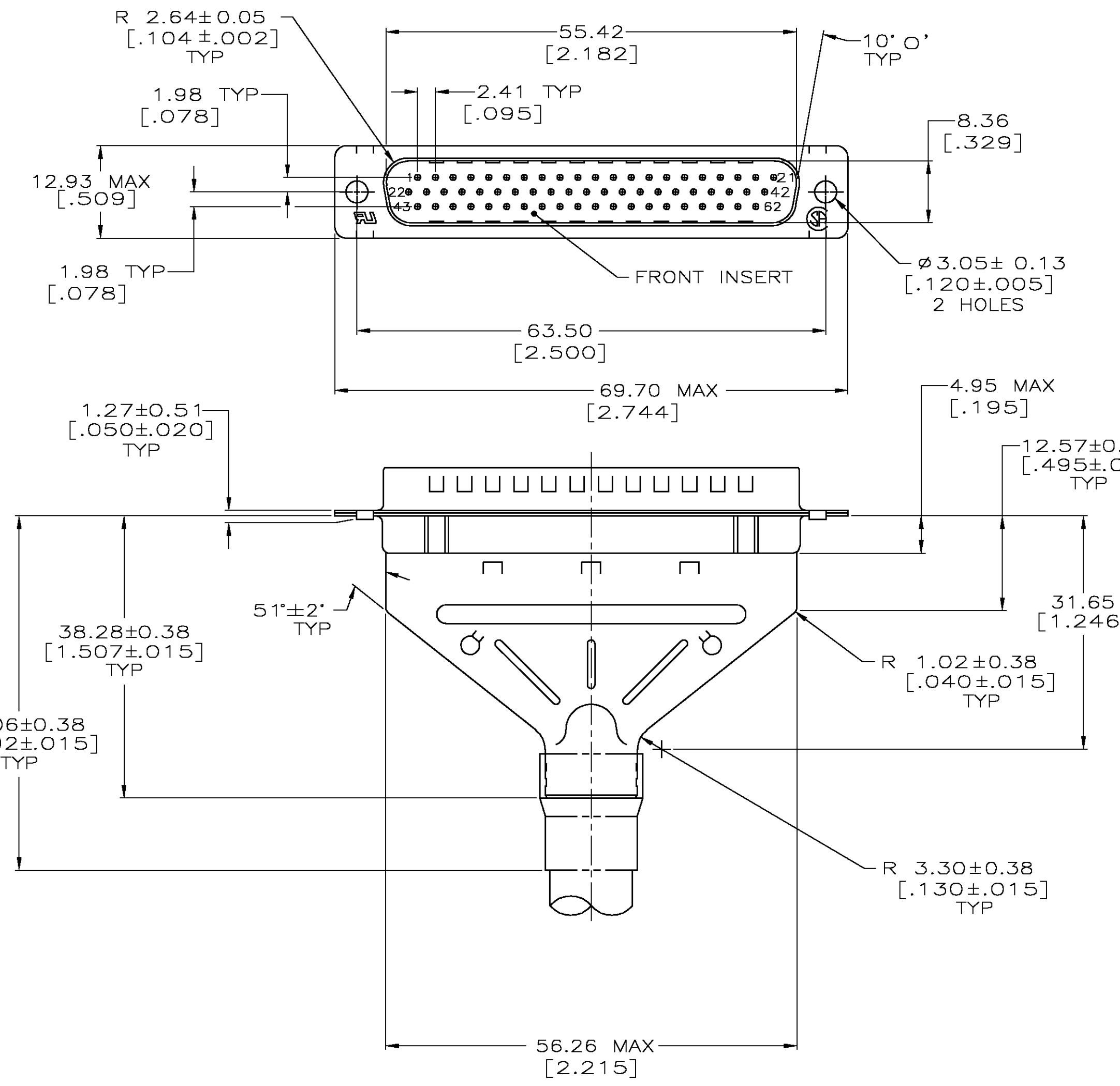


THIS DRAWING IS UNPUBLISHED. RELEASED FOR PUBLICATION  
 © COPYRIGHT BY TYCO ELECTRONICS CORPORATION. ALL RIGHTS RESERVED.

LOC	DIST	REVISIONS			
P	LTR	DESCRIPTION	DATE	DWN	APVD
GP	00	0	RELEASED PER EC 0513-0257-04	11-10-04	GA JG



- ▲ INSERTS: NYLON, BLACK, UL 94V-0 RATED.  
SHELLS & SHIELDS: CARBON STEEL PER ASTM A109.
- ▲ SHELLS & SHIELDS: 5.08µm [.000200] MIN TIN OVER  
2.54µm [.000100] MIN COPPER.
- ▲ PLUG ACCEPTS SIZE 22 PIN CONTACTS. (CONTACTS MUST BE PURCHASED SEPARATELY).

5748471-1  
 PART NUMBER

THIS DRAWING IS A CONTROLLED DOCUMENT.		DWN G. ATTADIA - DOCK5 11-10-04	Tyco Electronics Corporation Harrisburg, PA 17105-3608	
DIMENSIONS: mm [inches]		CHK J. GERACE 11-10-04	APVD M. WALMSLEY 11-10-04	
TOLERANCES UNLESS OTHERWISE SPECIFIED:		NAME PLUG KIT, UNASSEMBLED, SHIELDING HARDWARE, SIZE 4, 62 POSN, HDP-22, AMPLIMITE		
0 PLC ± -	1 PLC ± -	PRODUCT SPEC 108-1268		
2 PLC ± 0.13 [.005]	3 PLC ± -	APPLICATION SPEC 114-10001		
4 PLC ± -	ANGLES ± ± 0° 30'	SIZE A2		
MATERIAL ▲	FINISH ▲	WEIGHT -	CAGE CODE 00779	DRAWING NO 5748471
CUSTOMER DRAWING		SCALE 2:1		SHEET 1 OF 1
		REV 0		RESTRICTED TO -